

xylem  
Let's Solve Water

We are one of the world's leading water technology companies

Revenue **\$7,0 bn**

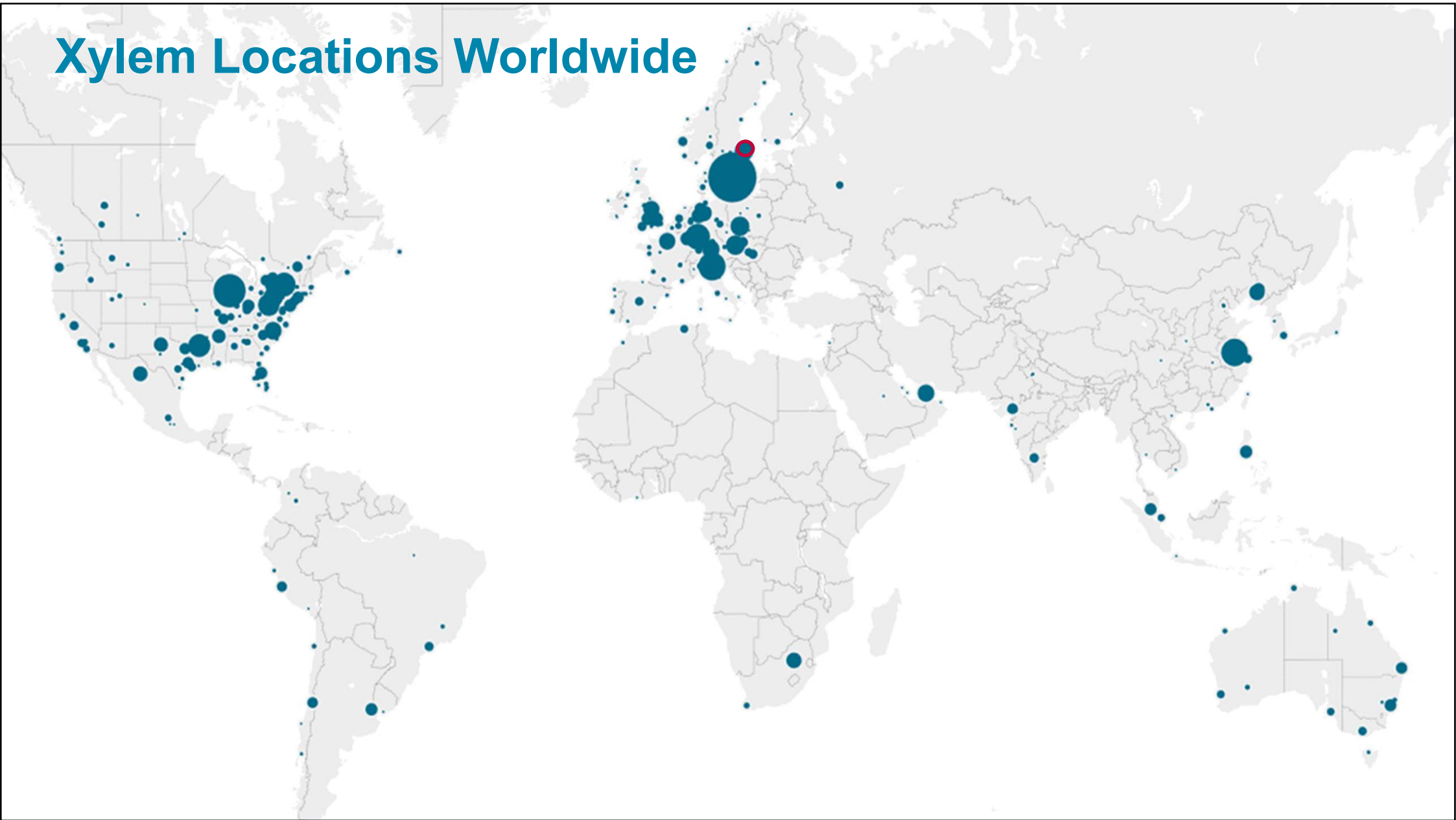
Employees **>22,000**

Countries **~150**

Continents **7**



# Xylem Locations Worldwide



# Xylem's Sundbyberg Research & Development Center

- Opened 2004
- R&D
- Product Testing Lab
  - Motor/VFD test benches
  - Heat test pool
  - EMC Chamber
  - Climate chamber
  - Clog test rig
  - Pump performance test rig







Emmaboda  
Plant



# Drinking Water Production

Aging Infrastructure



Regulatory Compliance



Operating Strategy, Costs & Labor



# Resource Abstraction and Ecosystem Monitoring

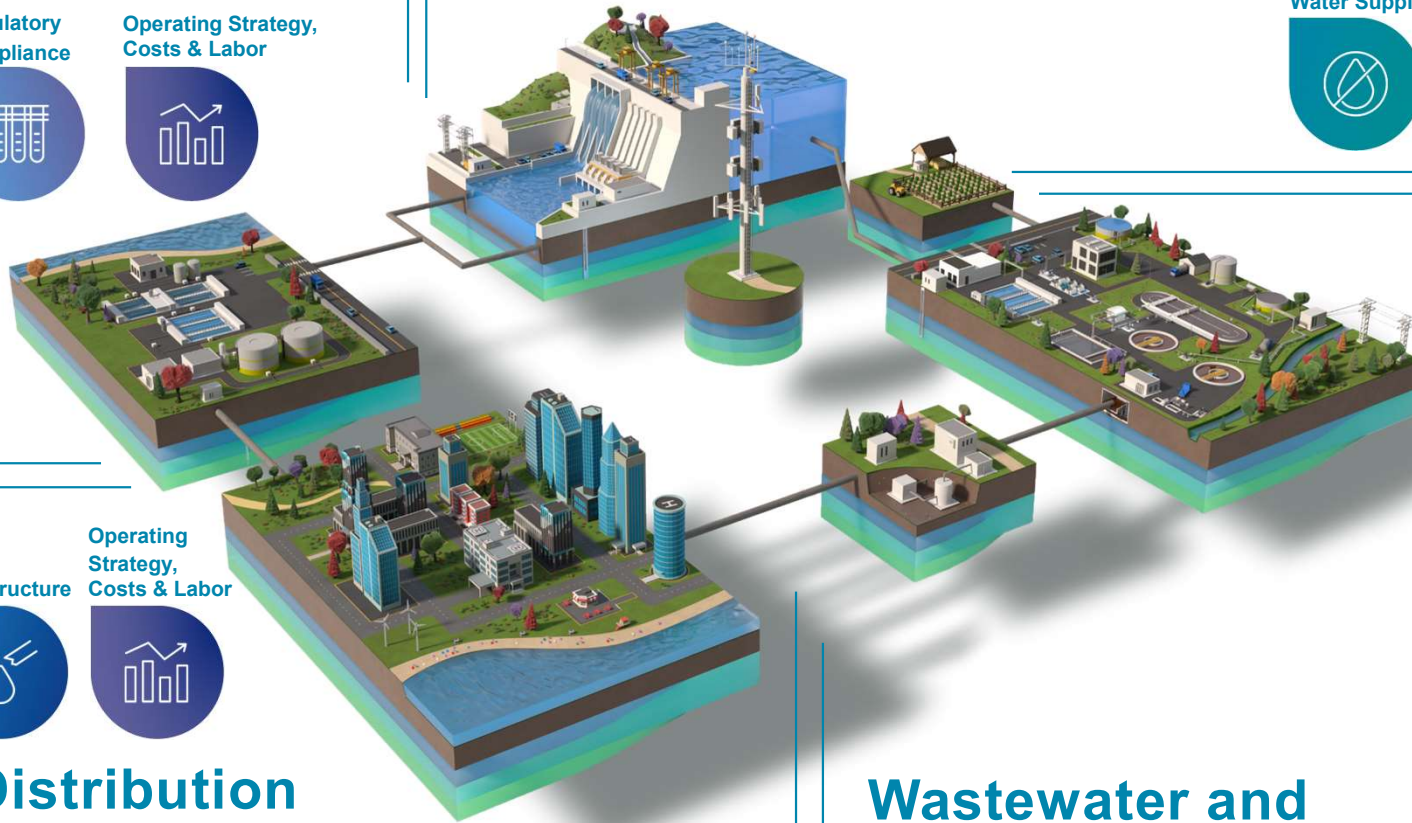
Stressed Water Supply



Regulatory Compliance



Operating Strategy, Costs & Labor



Water Losses



Aging Infrastructure



Operating Strategy, Costs & Labor



# Water Distribution and Services

# Wastewater Treatment and Reuse

Flooding and Overflows



Regulatory Compliance



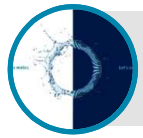
Aging Infrastructure



Operating, Costs & Labor



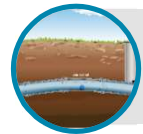
# Wastewater and Stormwater Collection



Digital Solutions



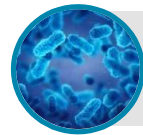
Life Cycle Services



Network Condition-assessment



Monitoring & Control, Measurement



Advanced Treatment



Classic Treatment



Wastewater transport



Stormwater Collection & Retentionbasin



# PU Wastewater



# The Vertical Markets We Serve

## Service & Rental

Conventional and digital services,  
and equipment rental



### Public Utilities

Public/private water utilities including clean water, resource abstraction and monitoring, drinking water production and distribution, metrology, wastewater collection and stormwater management, wastewater treatment and reuse.



### Industry / Original Equipment Manufacturers

Original Equipment Manufacturers (OEM) are customers that assemble our products in their systems e.g. heat pump manufacturers. Industry includes aquaculture, power, food & beverage, oil & gas, agriculture, pharma, and mining.



### Building Services

Covers residential and commercial building services. Includes heating, ventilation, air conditioning systems (HVAC), water distribution, wastewater management, and firefighting.



# History of Flygt

Established 1901 in  
Emmaboda

Motor producer  
since 1966

Inventor of the  
submersible pump



# Notable Xylem Installations

Submersible pumps to protect Great Pyramids and Sphinx

---

Water transport for memorial pool at new World Trade Center complex

---

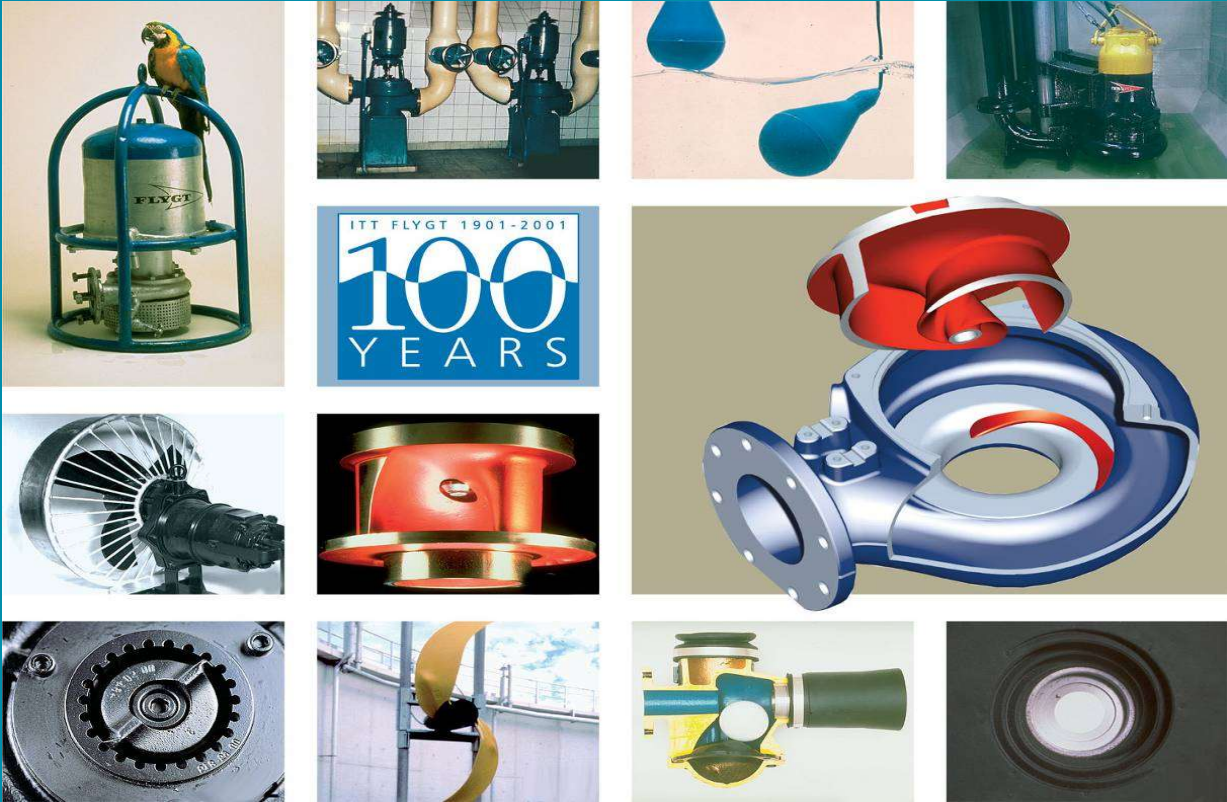
Booster pumps for Burj Khalifa, the tallest building in the world

---

Used to salvage the Vasa Ship



# History of Innovation





# Smart Pumps

## VFD

---

Motor

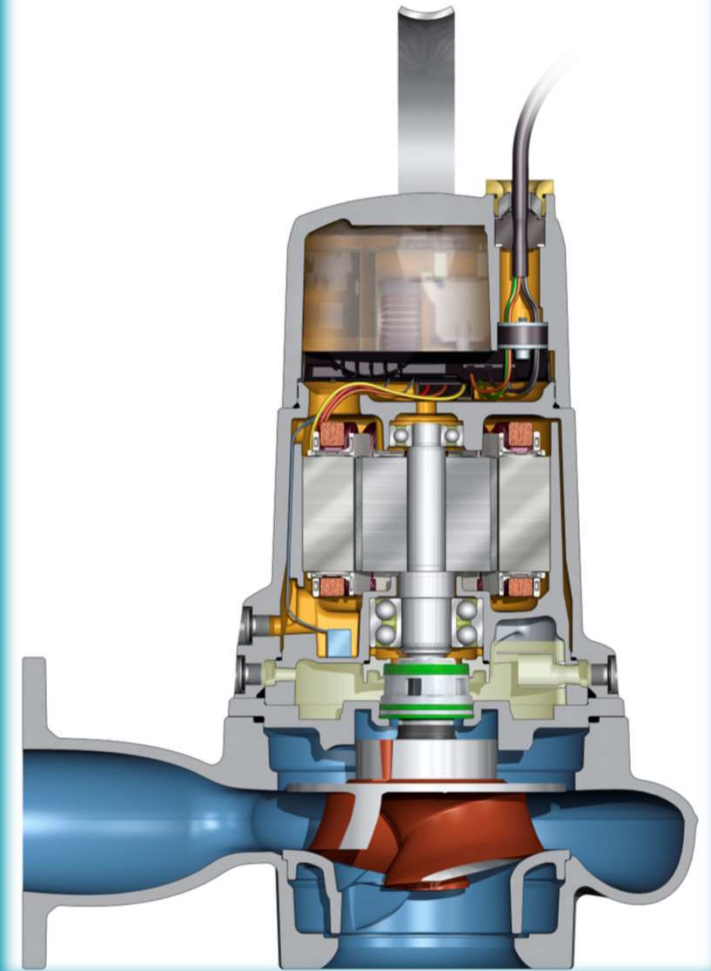
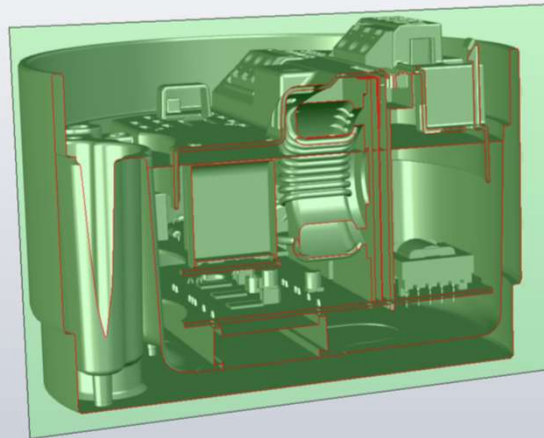
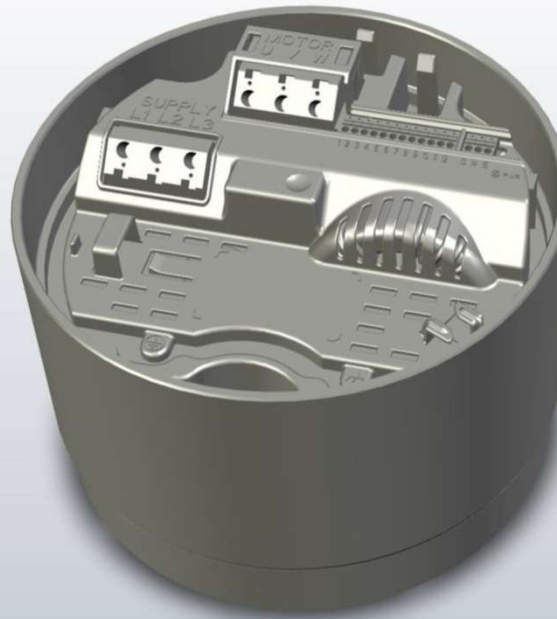
---

Seals

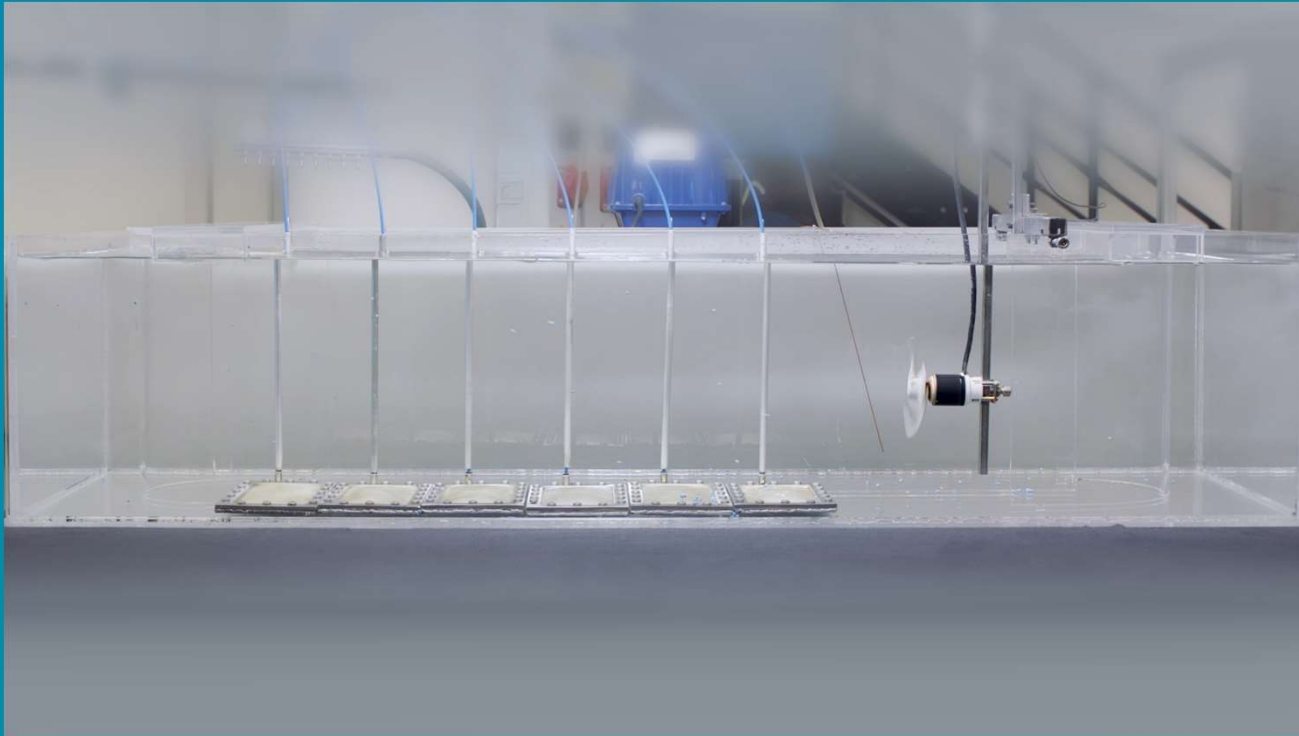
---

Hydraulics

---



# Adaptive Mixers and R&D lab







**Steadily Declining Supplies**



**Fundamentally Inefficient Infrastructure**



**Easily Contaminated Resource**



**Increasingly Unpredictable Weather**



# Xylem Watermark

is our corporate  
social responsibility program.

Our mission is to  
**provide education &  
equitable access to  
safe water & sanitation**  
to ensure healthy lives and build  
resilient communities.



xylem  
watermark.



We have the opportunity  
of a lifetime

Let's Solve Water